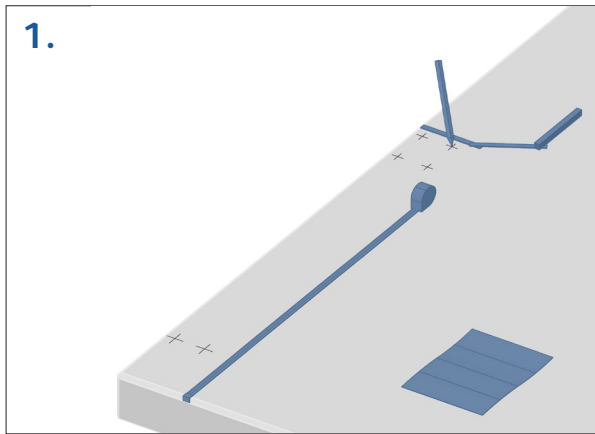
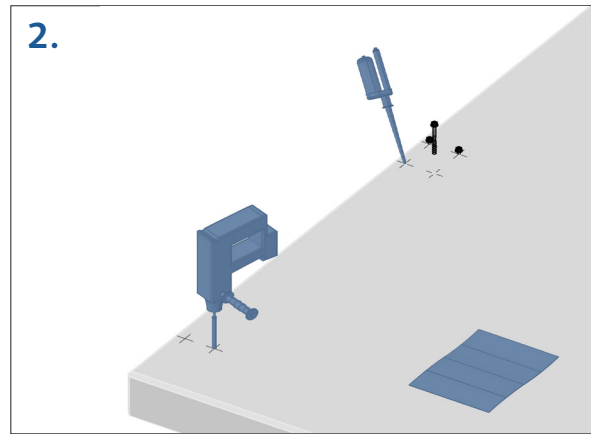


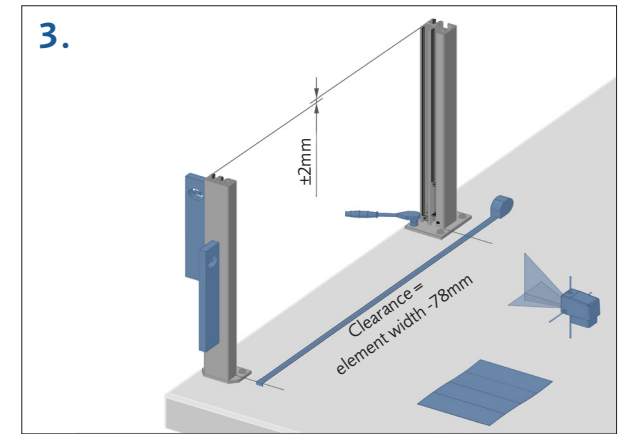
**Installation only by qualified specialist.
The assembly instruction must be read and understood.**



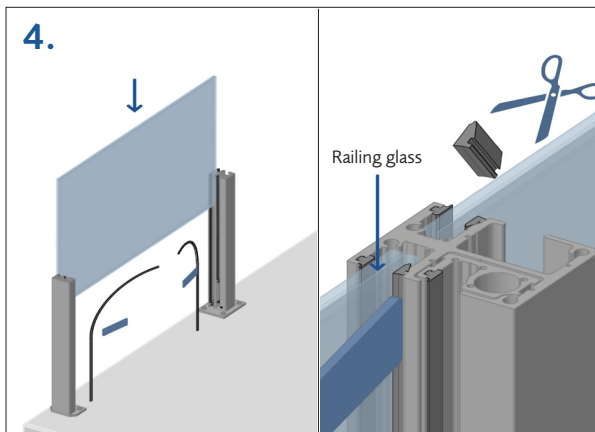
1. Measure the position of the required hole drillings and mark them on the concrete slab.



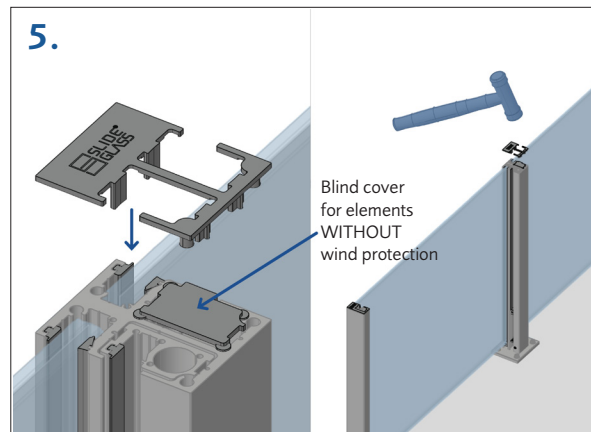
2. Drill holes. Follow the manufacturer's instructions (of the anchoring system) for processing and installation.



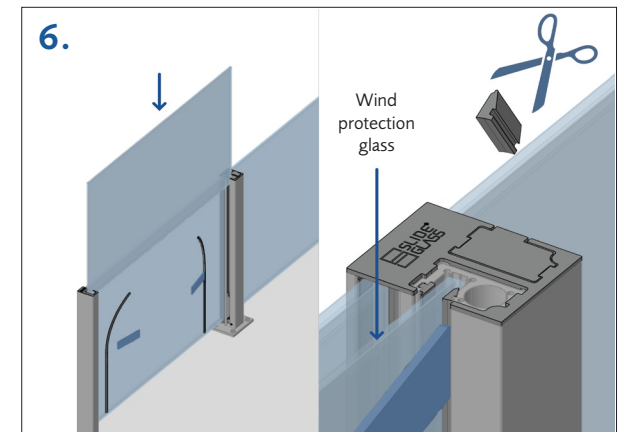
3. Position railing posts - align and fasten (torque value according to manufacturer's instructions of the anchoring system). Installation tolerances: Post height ± 2 mm, Clearance between posts ± 2 mm, (Clearance = element width - 78 mm)



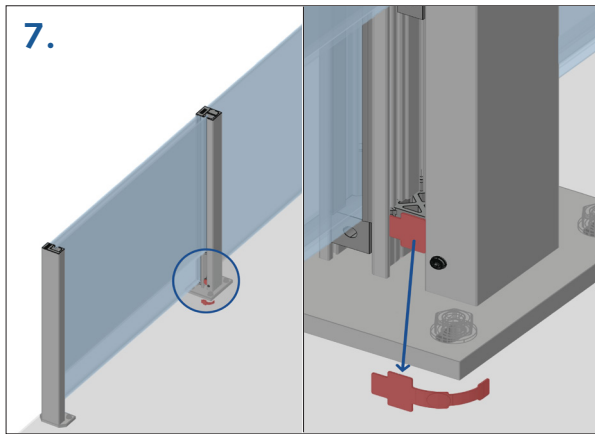
4. Insert the railing glass from above and carefully place it on the glass supports. Insert the fixing gasket. ATTENTION - Compress the seal during insertion and do not stretch it. Shorten seal to length.



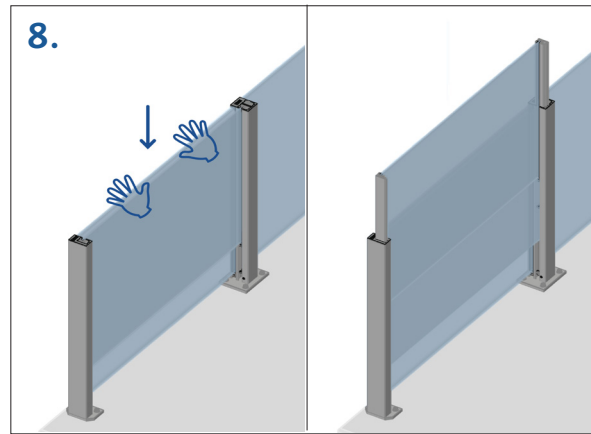
5. Insert the post cover. ATTENTION - when inserting, please ensure that the pins of the cover are inserted exactly into the corresponding profile channels. Hammer in firmly with a rubber hammer.



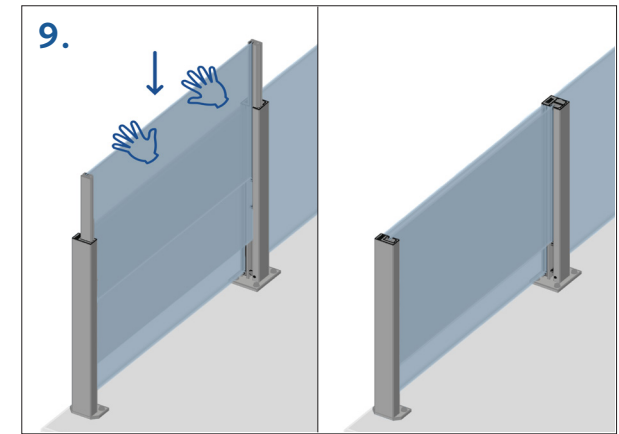
6. Insert the wind protection glass from above and carefully place it on the glass supports. Insert the fixing gasket. ATTENTION - Compress the seal during insertion and do not stretch it. Shorten seal to length.



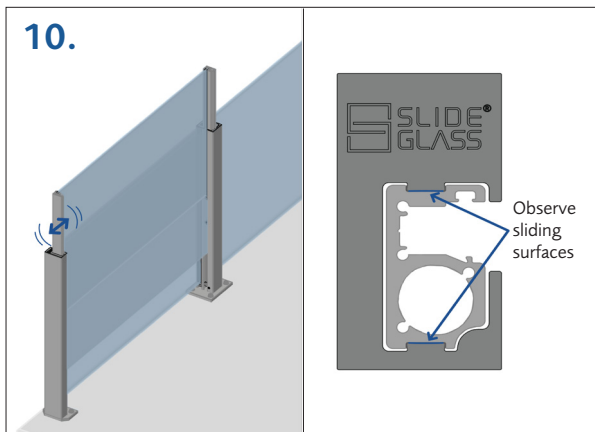
7. Remove the transport lock.



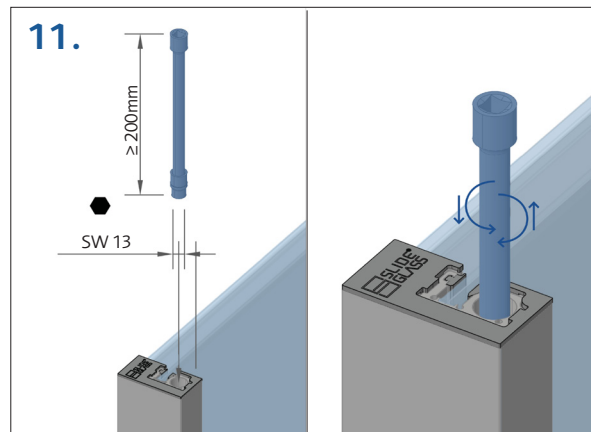
8. Raising/opening of the wind protection element. Press the wind protection element down evenly with both hands (position approx. shoulder width) as far as it will go and release it.



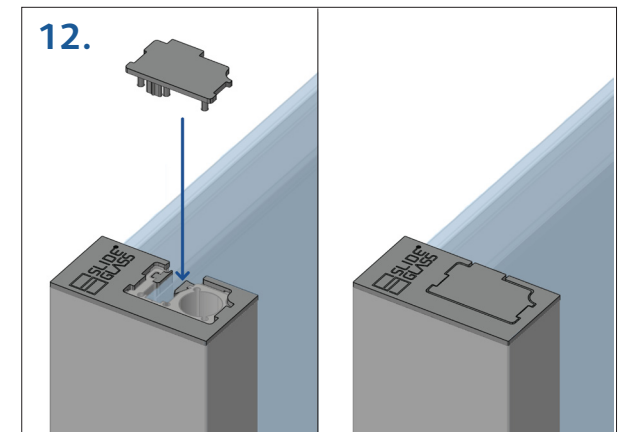
9. Lowering/closing of the wind protection element. Press the wind protection element down evenly with both hands (position approx. shoulder width) as far as it will go and release it.



10. Run adjustment of the windshield elements. Raise and lower the wind protection element several times. The frictional resistance is reduced by pulling and pressing the sliding rod.



11. Height adjustment of the sliding rod. Level the height of the sliding rod with the railing post height. Height adjustment possible with SW13 (outer diameter 22 mm hexagon socket wrench + extension >200 mm).



12. Place sliding rod cover on sliding rod profile.